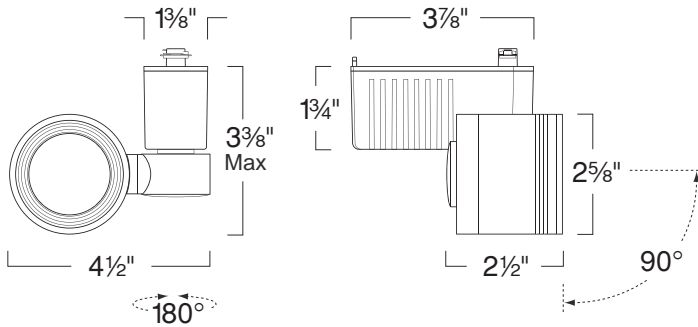


LTD7109 - 9W AZTEC 16 LED TRACK HEAD



SPECIFICATION

120V AC 9W LED

Application: Architecturally styled Aztec LED track head features a fully die-cast lamp enclosure with concealed heat sink, hardware and wiring for a sleek, unobtrusive appearance. High impact plastic driver case is economical and yet delivers powerful lumen performance that rivals more expensive fully die-cast track heads. Other features include a Singular Optic LED (SOL) Lens and interchangeable optics. Perfect for retail and commercial applications where energy efficiency and powerful lumen output is required in an elegant design.

Connector: LITON track fixtures come standard with 3-Wire H-Type track connections. Fixture is factory preset for installation on single-circuit track. J-Type and L-Type connections are available with extended lead times - consult factory.

Aiming Mechanism: Unobtrusive internal aiming mechanism allows maximum adjustability while rigidly maintaining desired positioning using no visible knobs, wires or screws.

Driver: Electronic Constant Current driver integrally mounted in fixture casing.

Dimming: Low Voltage dimming option (-DLV) works with standard Electronic Low Voltage Dimmers. Factory qualified for use with LUTRON Brand Dimmers: SELV-300P, VELV-300P, NELV-450 along with 3-Way versions. (-DLV) Dimming Option also compatible with Grafik Eye Dimming Interface ELVI-1000, smoothly dims down as low as 10% of initial light output with flicker-free operation.

Lumen Maintenance: Minimum 35,000 hours L70 life based on ANSI TM-21 calculations from LM80 standardized test results.

Thermal Management: Effective thermal dissipation facilitated by integral cast-aluminum, finned heat sink design for maximum heat rejection to provide long LED life.

Color Temperature: LED Diodes comes standard in warm white 3,000K +/- 100K. Also available in 4,000K as special order. Consult factory, extended lead times and minimum order quantities may apply.

Safety Labels: ETL/CETL listed. Suitable for dry locations only.

Warranty: Covered by a 3 Year Warranty to be free of defects in materials and craftsmanship. Recommended for applications where ambient temperatures do not exceed 35°C, installations exceeding this temperature will result in reduced LED lamp life and a voided warranty.

Finish: Available in Black and White.

Label: UL Listed

Assembled in USA

COMPATIBILITY



LP

1 CCT TRACK CHANNEL



LPC

2 CCT TRACK CHANNEL

Note: Wattage limitations on compatible items must be met.

LED Details:

9W 420+ Lumens Delivered
Color Rendering Index (CRI): 80
Color Temperature: 3,000K
Lamp Equivalents: 50W PAR20 FL, 50W MR16 FL

Benefit:

- Die-cast aluminum housing
- Concealed heat sink, hardware and wiring
- For use with standard H-Style 1 circuit and 2 circuit track
- ELV Dimming option
- Precision design insures firm positioning

2017.8.26

FEATURE:



ORDERING EXAMPLE : LTD7109B-DLV

LTD7109

FINISH

LTD7109

B-DLV :Black
W-DLV :White

ID#: 2606



Product specifications subject to change without notice.
Tel: 323.904.0200 www.liton.com

